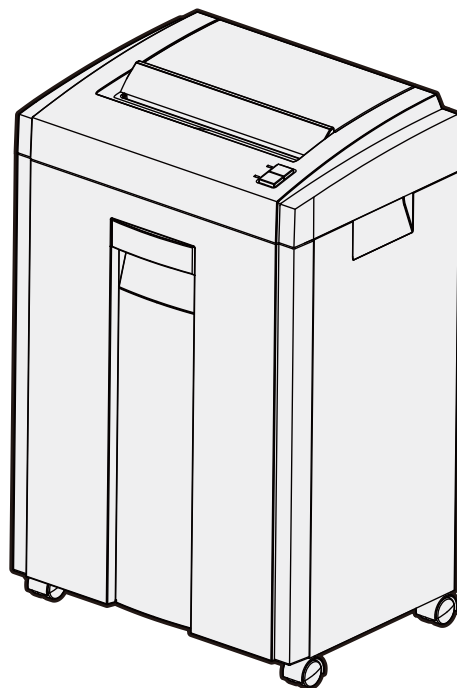


deli

# USER MANUAL

Paper Shredder



No.9952 No.T054

Thank you for purchasing our product. This shredder is suitable for personal as well as office department use. We believe the shredding capabilities and confidentiality level of this series of shredders will enable you to dispose your documents in a more efficient manner.

Please read this manual carefully before use, in order to facilitate proper use of this product, as well as to prevent damage to people and property.

## The Table Of Toxic And Hazardous Substances/Elements And Their Content

Part name	Lead (Pb)	Mercury (Hg)	Cadmium (Cd)	Hexavalent Chromium (Cr)	Polybrominated biphenyls (PBB)	Polybrominated Dimethyl Ether (PBDE)
Housings	○	○	○	○	○	○
Wastebasket	○	○	○	○	○	○
Motor	×	○	○	○	○	○
Core	○	○	○	○	○	○
Cables	×	○	○	○	○	○
Circuit board	×	○	○	○	○	○
Print	○	○	○	○	○	○
Packaging materials	○	○	○	○	○	○

This Table is prepared in accordance with the provisions of SJ/T 11364.

○: Indicates that this toxic or hazardous substance contained in all of the homogeneous materials for this part is below the limit requirement in GB/T 26572.

×: Indicates that this toxic or hazardous substance contained in at least one of the homogeneous materials used for this part is above the limit requirement in GB/T 26572 (Due to technical or economic reason, these toxic or hazardous substances cannot be replaced or reduced for now.).

## 1. Warnings And Precautions

---

The plug on the power supply cord is intended to serve as the disconnect device, the socket-outlet shall be installed near the equipment and shall be easily accessible.

The appliance shall be connected to a MAINS socket outlet with a protective earthing connection.



Please place the shredder on a flat and level surface, to avoid from malfunction caused by tipping over.



Warning! Do not disassemble, modify or repair the machine by yourself in any way, to avoid electric shock or accidental injury.



Warning! Do not touch the plug with wet hands, to avoid electric shock or accidental injury.



Please unplug and turn off the shredder when discarding the shredded objects, moving, or not using the equipment for a while, to avoid a fire or electric shock.



Warning! Do not splash water onto the machine to avoid a fire or electric shock.



Do not use this equipment next to a heater or air condition, in a high temperature and humidity, or dusty place, to avoid a fire or electric shock.



Do not shred tapes, copy papers, fabrics or plastic films, to avoid equipment failure.



Warning! Do not damage or process the power cord or place objects on the power cord, to avoid a fire or electric shock.



In case of smoke, odor or other abnormal conditions, please turn off the power switch immediately and stop using to avoid a fire or electric shock.



Do not use the laminator if the machine or power cord is damaged, to avoid a fire or electric shock.



Warning! Do not let children use this shredder to avoid accidental injury. (This equipment is installed with sharp blades.)



Warning! Do not touch the blades in the feed and shredded outlet slots.



Warning! Do not allow tie, necklace, sleeves, etc. to get pulling into the feed slot. (If it is accidentally entangled, press and hold the "Reverse" button to remove the object.)



Warning! please do not allow your hair to get pulling into the feed slot. (If it is accidentally entangled, press and hold the "Reverse" button to remove the object.)



Please do not put pins, paper clips, etc. into the feed slot. (If it is accidentally entangled, press and hold the "Reverse" button to remove the object.)



Do not spray any flammable gases into the equipment to avoid a fire.



To refer to text in an accompanying document.



Only suitable for use in indoors.



Warning: Sharp edge, no touching!



Warning: moving parts! Keep away from moving parts.



This appliance bears the WEEE mark (Waste of Electric and Electronic Equipment) signifying that, at the end of its life cycle, it should not be disposed of with household waste, but at a recycling centre. The recycling of waste contributes to the conservation of our environment.

## 2. Product Specification

---

Product number	9952	T054
Power supply	230V~/50Hz	230V~/50Hz
Cut Type	Strip-cut	Strip-cut
Shred size(mm)	4x25	2x12
Shred CDs or DVDs	/	Shreds CDs/DVDs
Shredding capacity (70g, A4) (sheet)	12	8
Shredding speed (m/min)	2	1.8
Paper feed slot width(mm)	220	220
CD/DVD feed slot width(mm)	/	122
Wastebasket capacity(L)	23	23
Product dimensions (mm)	350x250x550	350x250x550
Noise(dB)	≤70	≤70
Net weight(kg)	8.36	9.1
Continuous run time ( min )	10	10

\*Test data from Deli lab, changes of the test environment and tools may cause deviations.

### 3. Packing List

---

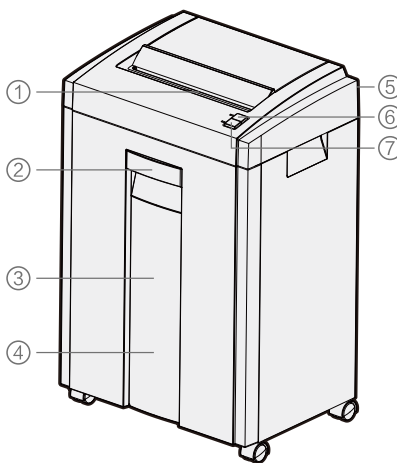
Please check the intact of equipment and inventory all accessories. Please contact the dealer for any defect and/or missing of accessory.

#	Name	Quantity	Remark
1	Paper Shredder	1x	
2	User Manual	1x	
3	Caster Wheel	4x	Put in the wastebasket

### 4. Product Diagram

---

1. Paper feed slot
2. Handle
3. Visible window
4. Wastebasket
5. Power switch button
6. Forward
7. Reverse



This diagram is for reference only  
please take the actual product as standard  
(Shred type varies among different product number)

## 5. Maintenance

---

1. Unplug the power cord prior to maintenance;
2. Maintenance is limited to the cleaning of external parts only;
3. When cleaning the external parts, caution must be taken not to drip any water droplets into the interior of the shredder.

Note: When cleaning the outer casing of the shredder, please gently wipe with a soft cloth slightly damped with soapy water or detergent. Caution not to let the cloth enter into the feed slot, and do not use solvents such as gasoline, benzene, paint thinner and detergent.

## 6 Step-by-step Instructions

---

1. Switch on the 230V power supply in accordance with the voltage specifications of your equipment.
2. Press the power switch button " | " on the back of the shredder, the indicator will turn green, which means you may start to use the shredder. The shredder will stop the shredding process automatically till you activate the next shredding operation. Upon the completion of shredding operation, please press the power switch bottom " ○ " to turn off the unit.
3. If you want to stop the file being shredded, press the manual eject switch "Reverse" button, the shredder will immediately (2~3 seconds) reverse and eject your file.
4. If a "jam" condition occurs due to excessive amount of paper, the red indicator will prompt the status, and automatically reverse to eject the jammed paper and stop the operation automatically. Once you take out the jammed paper, the indicator will turn green again and will be automatically reactivated by the next shredding operation. If the shredder fails to eject the paper automatically, press the manual "Reverse" button to eject the excess paper. If the jammed paper is too short to be removed by hand, you can also use the "Forward" button to break the paper to clear the jamming.
5. Shredding excessive amount of paper will result in overheated motor issue, and the shredder will stop automatically (which is the uniquely designed automatic protection function to protect the motor from overheating). After the automatic shutdown, the shredder will resume working after around 60-minutes cool down period.

## 7. Troubleshooting

Problem	Potential causes	Solution
The equipment is not functioning	The plug is not plugged in, no power	Push the plug into the socket thoroughly
	Voltage of the power is too low	Provide rate working voltage
	The wastebasket has not been pushed into the predetermined position	Push the wastebasket into the predetermined position
	The equipment is overheated and entered into protection mode due to prolonged use	Wait for a while till the equipment is cooled down
	Paper is too thin or too soft	Add a thicker paper or fold the paper multiple time to increase the thickness
	The wastebasket bucket is full	Clean the wastebasket
	Overload issue has not been resolved	Reduce the pages of paper and reload the paper into the feed slot
The shredder is stalled	Paper jam	Press the "Reverse" bottom to eject the jammed paper
The shredder motor will not stop running	The feed slot is covered with paper dust and other foreign matter	Clean up the feed slot area
Operating noise is too loud	Equipment has been put on hallow or unlevelled floor	Adjust the placement of the machine

Note: If there is a malfunction condition that can't be troubleshoot through the above method, please stop using the shredder immediately, unplug the power cord and notify the local service unit for service, please don't attempt to disassemble the unit by yourself!

## 8. Recycling

Be sure to send used and waste electronics and packaging materials to a special recycling site to prevent uncontrolled waste disposal and facilitate material recycling.

# WARRANTY CARD

Thank you for your purchase of our products. The interests of customers who purchase our products will be protected. For any malfunction due to product quality problems, please contact authorized local dealers or service centers with this receipt and the warranty card.

**Warranty terms:**

1. For product failures occur under normal operating circumstances, free of charge repair and spare parts replacement service shall be provided by our company within one year commencing from date of purchase.
2. Customers are required to present this warranty card and the original purchase invoice to our company upon request for warranty service. This warranty card shall be valid only after the following form is filled out in details and affixed with official seal of the dealer.
3. No free of charge repair service shall be provided in the event of any of the following circumstances:
  - (1) Expiration of the warranty period;
  - (2) Damages caused by improper use, maintenance or storage not in accordance with the requirements of the user manual;
  - (3) Failure or damage resulting from unauthorized disassembly, repair or modification;
  - (4) Failure or damage caused by force majeure;
  - (5) Wear parts or accessories.

This warranty card is being delivered with the product, one card for one product. Please keep this warranty card in proper condition for free warranty service. There is no replacement if lost.

Date of Purchase: \_\_\_\_\_ Y \_\_\_\_\_ M \_\_\_\_\_ D

Product Information	Product Name			Serial Number		
	Product Model Number			Manufacturing Date		
Customer Information	Company Name			Contact		
	Address			Phone		
Sales Information	Dealer Name			Contact		
	Address			Phone		
	Date of Purchase			Invoice No.		
Maintenance Record	Description of Malfunction	Maintenance Results	Customer Signature	Maintenance Technician Signature	Maintenance Date	

-----

This copy shall be cut along the dotted line and kept by the dealer.

Product Information	Product Name			Serial Number		
	Product Model Number			Manufacturing Date		
Customer Information	Company Name			Contact		
	Address			Phone		
Sales Information	Dealer Name			Contact		
	Address			Phone		
	Date of Purchase			Invoice No.		
Maintenance Record	Description of Malfunction	Maintenance Results	Customer Signature	Maintenance Technician Signature	Maintenance Date	



**Special Disclaimer:**

While information of this manual has been rigorously checked and reviewed, we still cannot rule out the possibility of spelling mistakes and technical negligence and/or errors. Such negligence and/or errors will be corrected in the updated version(s) without further notice. The intellectual property of this manual belongs to our company, and no organization or individual is allowed to change the content.

This equipment is not suitable for use in locations where children are likely to be present.

**CERTIFICATE**

Inspector: \_\_\_\_\_

Date of Manufacture: \_\_\_\_\_

**DELI GROUP CO., LTD.**

301 Xuxiake Ave. Ninghai County  
Ningbo 315600 China Made in China  
info@nbdeli.com www.deliworld.com



**KEEP FOR  
FUTURE USE**

Version: 1.4  
Date: 04-2023