

## WARRANTY CARD

Thank you for your purchase of our products. The interests of customers who purchase our products will be protected. For any malfunction due to product quality problems, please contact authorized local dealers or service centers with this receipt and the warranty card.

### Warranty terms:

- For product failures occur under normal operating circumstances, free of charge repair and spare parts replacement service shall be provided by our company within one year commencing from date of purchase.
- Customers are required to present this warranty card and the original purchase invoice to our company upon request for warranty service. This warranty card shall be valid only after the following form is filled out in details and affixed with official seal of the dealer.
- No free of charge repair service shall be provided in the event of any of the following circumstances:
  - Expiration of the warranty period;
  - Damages caused by improper use, maintenance or storage not in accordance with the requirements of the user manual;
  - Failure or damage resulting from unauthorized disassembly, repair or modification;
  - Failure or damage caused by force majeure;
  - Wear parts or accessories.

This warranty card is being delivered with the product, one card for one product. Please keep this warranty card in proper condition for free warranty service. There is no replacement if lost.

Date of Purchase: \_\_\_\_\_ Y \_\_\_\_\_ M \_\_\_\_\_ D

Product Information	Product Name			Serial Number		
	Product Model Number			Manufacturing Date		
Customer Information	Company Name			Contact		
	Address			Phone		
Sales Information	Dealer Name			Contact		
	Address			Phone		
	Date of Purchase			Invoice No.		
Maintenance Record	Description of Malfunction	Maintenance Results	Customer Signature	Maintenance Technician Signature	Maintenance Date	

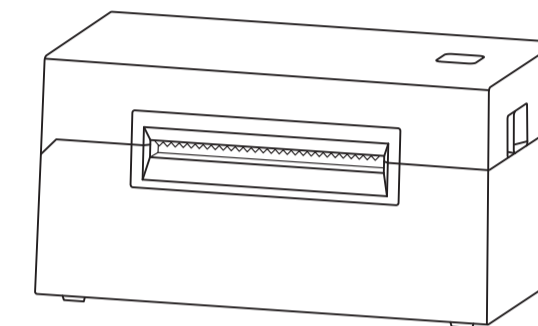
This copy shall be cut along the dotted line and kept by the dealer.

Product Information	Product Name			Serial Number		
	Product Model Number			Manufacturing Date		
Customer Information	Company Name			Contact		
	Address			Phone		
Sales Information	Dealer Name			Contact		
	Address			Phone		
	Date of Purchase			Invoice No.		
Maintenance Record	Description of Malfunction	Maintenance Results	Customer Signature	Maintenance Technician Signature	Maintenance Date	

deli

# User Manual

## Thermal Label Printer



- WARNING: Running this device in a residential environment may cause radio interference.
- WARNING: Has sharp edges, do not touch.
- WARNING: Hot parts! Touching the parts will burn your fingers, wait half an hour after turning off the power before touching the parts

### CERTIFICATE

Inspector: \_\_\_\_\_

Date of Manufacture: \_\_\_\_\_

**DELI GROUP CO., LTD.**  
301 Xuxiake Ave. Ninghai County  
Ningbo 315600 China Made in China  
info@nbdeli.com www.deliworld.com



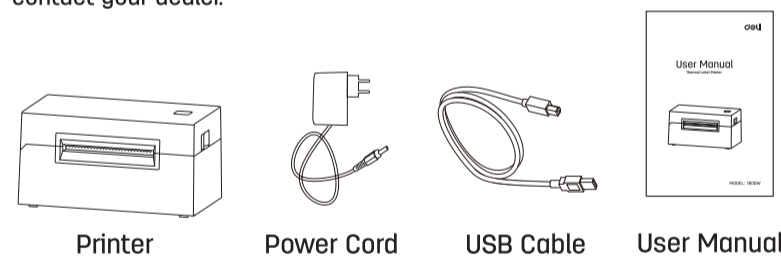
**KEEP FOR FUTURE USE**

Version: 1.0  
Date: 02-2023

MODEL: 760DW

## 1 Packing List

Please check if the product is intact after unpacking and verify that all the accessories have been received. If any items are missing, please contact your dealer.



### Caution:

This is a Class A product. In a domestic environment, this product may cause radio interference, in which case the user may be required to take appropriate measures.

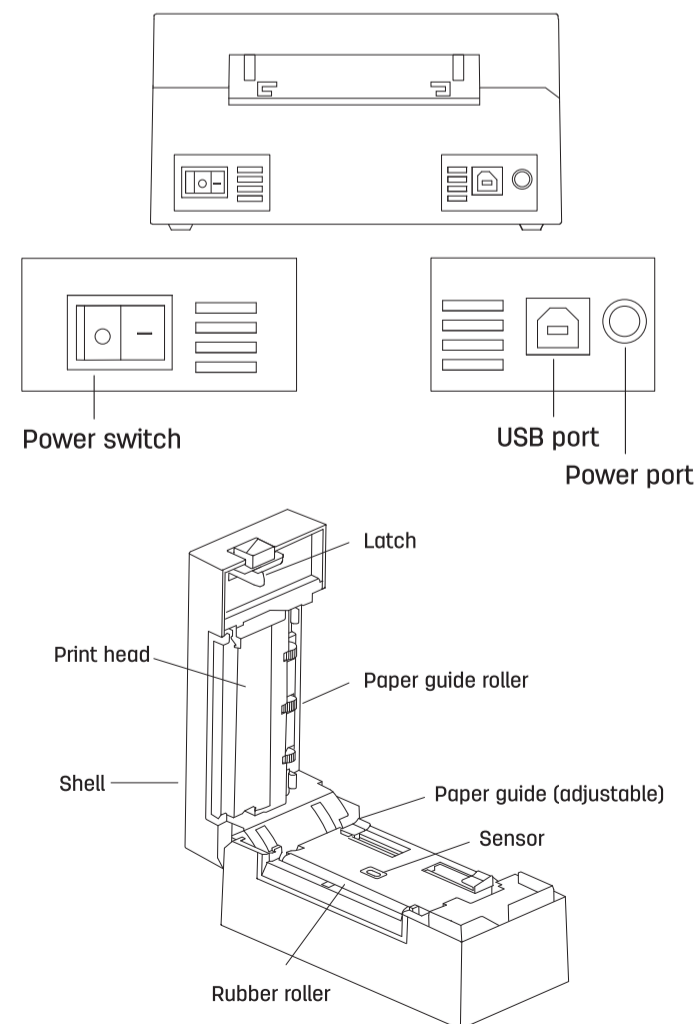
### Note:

- Please visit Deli official website (<https://www.deliworld.com>) to download the drivers and the editing software.
- Please use the "First Sheet Rewind" function indoors without direct sunlight. It is recommended to disable the "First Sheet Rewind" function in Settings in bright light conditions.



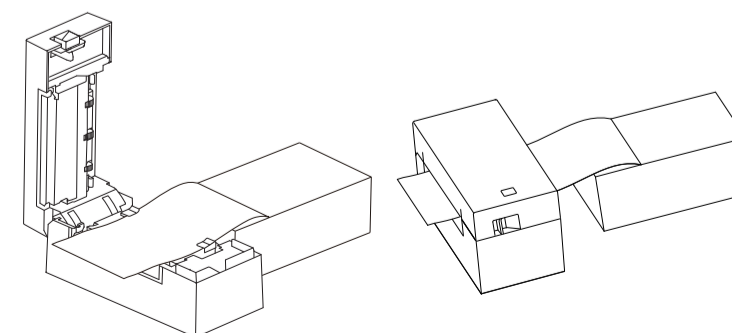
Scan For App

## 2 Appearance and Components



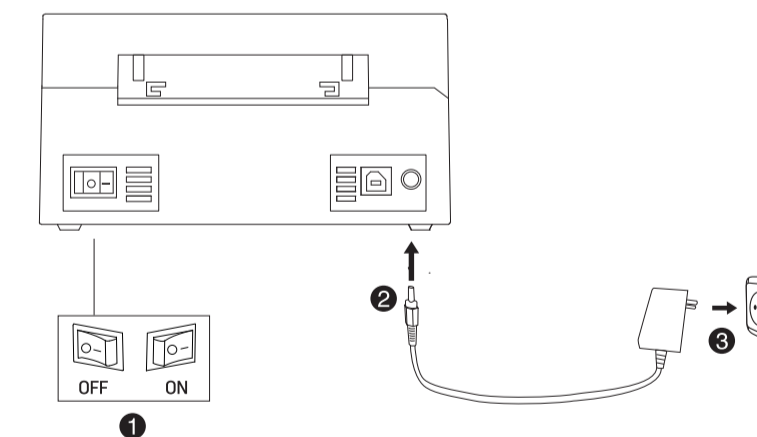
## 3 Loading the Paper Roll

- Place a paper roll into the rear of the printer so that it is in the middle of the paper guide.
- Face the front of the printer, press the top cover button in the direction of the arrow, and lift the top cover up.
- Pull out some paper through the paper guide, adjust the paper width guide against both edges to fasten the paper.
- Press down the top cover until it clicks shut and tear excess paper in the tear-off direction.



## 4 Power Connection

- Make sure that the power switch is at the OFF (O) position.
- Connect the power adapter to the printer.
- Connect the other end of the power cord to a nearby outlet.



## 5 Tips

- For use of paper rolls, we recommend the Deli Waybill Box 15208.
- We recommend using Deli-brand consumables to protect your print head.

